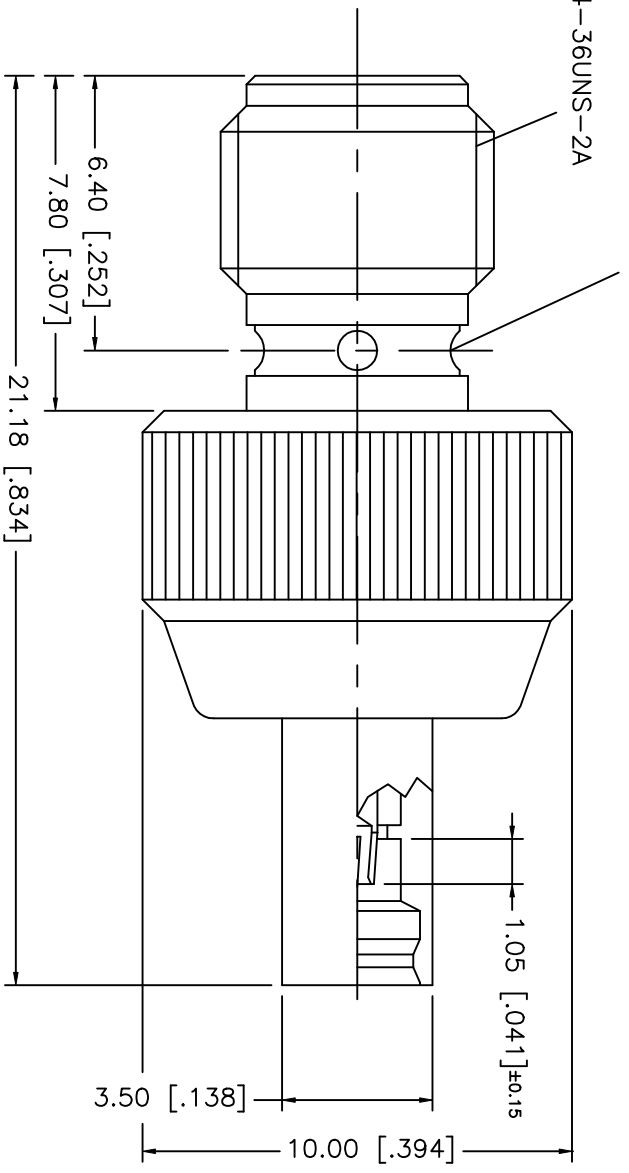


REV.	DATE	DESCRIPTION
NC	09/22/02	INITIAL RELEASE

STAKE IN 4 PLACES  
EQUALLY SPACED 90° APART

1/4-36UNS-2A



8	UNLESS OTHERWISE SPECIFIED DIMENSIONS ARE IN MILLIMETERS	APPROVALS	DATE	TITLE			REV.
7	DIMENSIONS IN [ ] ARE IN INCHES FOR CUSTOMER REFERENCE ONLY	DRAWN	09/22/02	SMA JACK TO MMCX JACK ADAPTER			NC
6		CHECKED		CONNECTOR CORPORATION			
5		ISSUED					
4	CONTACT PIN	BER. COPPER		SIZE	FSOM NO.	DWG. NO.	
3	INSULATOR	TEFLON		A	99001	242143	
2	BODY	BRASS		SCALE	PART NO.		
1	HOUSING	BRASS		NA	242143		
	DESCRIPTION	MATERIAL	FINISH	SHEET 1 OF 1			